

**SERVICE MANUAL
MODEL C16 COMPUTER
Preliminary**

OCT. 1984 PN-314001-03



SERVICE MANUAL
MODEL C16 COMPUTER
Preliminary

OCT. 1984 PN-314001-03

Commodore Business Machines, Inc.

1200 Wilson Drive, West Chester, Pennsylvania 19380 U.S.A.

Commodore makes no expressed or implied warranties with regard to the information contained herein. The information is made available solely on an as is basis, and the entire risk as to quality and accuracy is with the user. Commodore shall not be liable for any consequential or incidental damages in connection with the use of the information contained herein. The listing of any available replacement part herein does not constitute in any case a recommendation, warranty or guaranty as to quality or suitability of such replacement part. Reproduction or use without expressed permission, of editorial or pictorial content, in any matter is prohibited.

This manual contains copyrighted and proprietary information. No part of this publication may be reproduced, stored in a retrieval system, or transmitted in any form or by any means, electronic, mechanical, photocopying, recording or otherwise, without the prior written permission of Commodore Electronics Limited.

Copyright © 1984 by Commodore Electronics Limited.
All rights reserved.



CONTENTS

Title	Page
SPECIFICATIONS	1
PRODUCT PARTS LIST	3
CASEWORK IDENTIFICATION	3
PCB LAYOUT	4
PCB PARTS LIST	5
PCB SCHEMATIC DIAGRAMS	7
KEYBOARD MATRIX	8
I.C. PINOUTS FOR MOS DESIGN	9
RF MODULATOR LAYOUT	10
RF MODULATOR SCHEMATIC	10

C16 PRODUCT SPECIFICATION

MEMORY

16K RAM Standard

ROM

32K ROM Standard (includes operating system and BASIC interpreter).

MICROPROCESSOR

7501/8501 Microprocessor with a two speed clock (.89 or 1.76 MHz).

DISPLAY

40 Columns x 25 lines of text.

COLORS

121 Colors (15 colors; 8 luminance levels and Black).

CHARACTERS

Upper & lower case letters, numerals and symbols. Reverse and flashing characters. All PET graphic characters.

DISPLAY MODES

Text characters. High resolution graphics. Split screen text/high resolution graphics. MultiColor graphics. Split screen/multi-color graphics.

RESOLUTION

320 x 200 Pixels

SOUND

2 Tone generators or 1 Tone and 1 noise generator.

VOLUME

8 Volume levels

KEYBOARD

Full size/full stroke C64 style design.

KEYS

66 Keys total. 4 Cursor control keys. 4 Function keys (up to 8 user defined/programmable functions possible). Color control keys. HELP key. Upper and lower case character set.

INPUTS/OUTPUTS

Serial port. ROM cartridge and parallel disk drive port. 2 Joystick ports. C1531 Cassette drive interface port. RF Output — channel 3 or 4. Video output — composite/chrominance/luminance, audio input/output. Power supply input.

FEATURES

Built-in BASIC 3.5 — over 100 commands, statements and functions. Built-in Machine Language Monitor — over 12 commands. Built-in graphics and sound commands. Screen window capability. Extended screen editor.

PERIPHERALS

C1541 Disk drive, C1551 Fast Disk Drive, C1531 Datasette, MPS 802 Dot matrix printer, MPS 803 Dot matrix printer, DPS 1101 Daisy wheel printer, C1520 Plotter/Printer, C1802/1803 Color monitor, C1702 Color monitor.

PARTS LIST
C-16

TOP CASE ASSY

Top Case	C 251813-01
Keyboard, 66 Key	C 251798-01
LED Plate	C 326180-02
Nameplate	C 251794-01
Lamp Holder Set	C 903820-03
LED Assembly	C 1001039-01

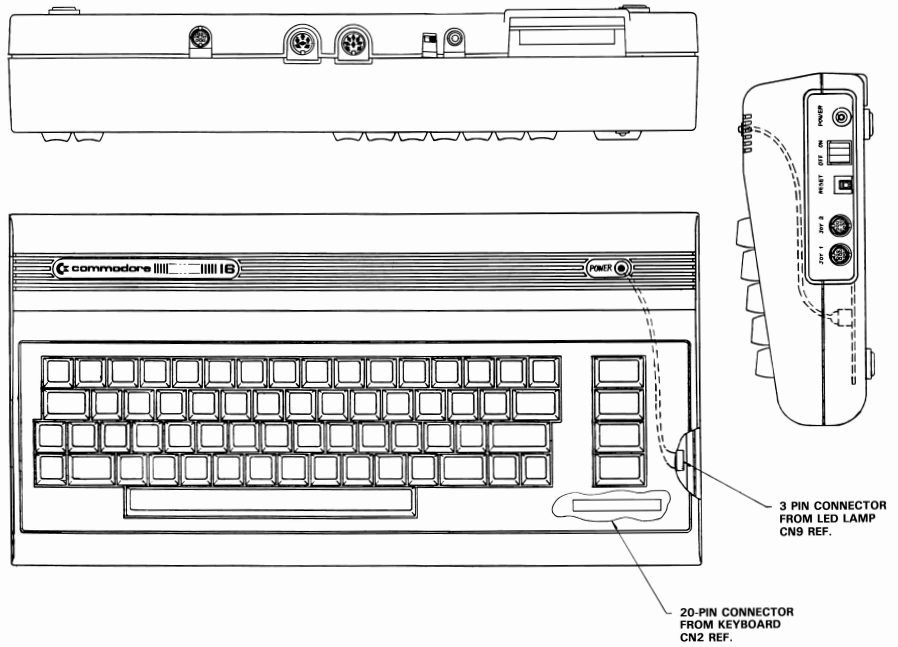
BOTTOM CASE ASSY

Bottom Case	C 251790-01
Foot, Self-Adhesive	C 960157-04
PCB Shield Plate, top	C 251795-01
PCB Shield Plate, bottom	C 251796-01
PCB Insulation Sheet	C 251797-01

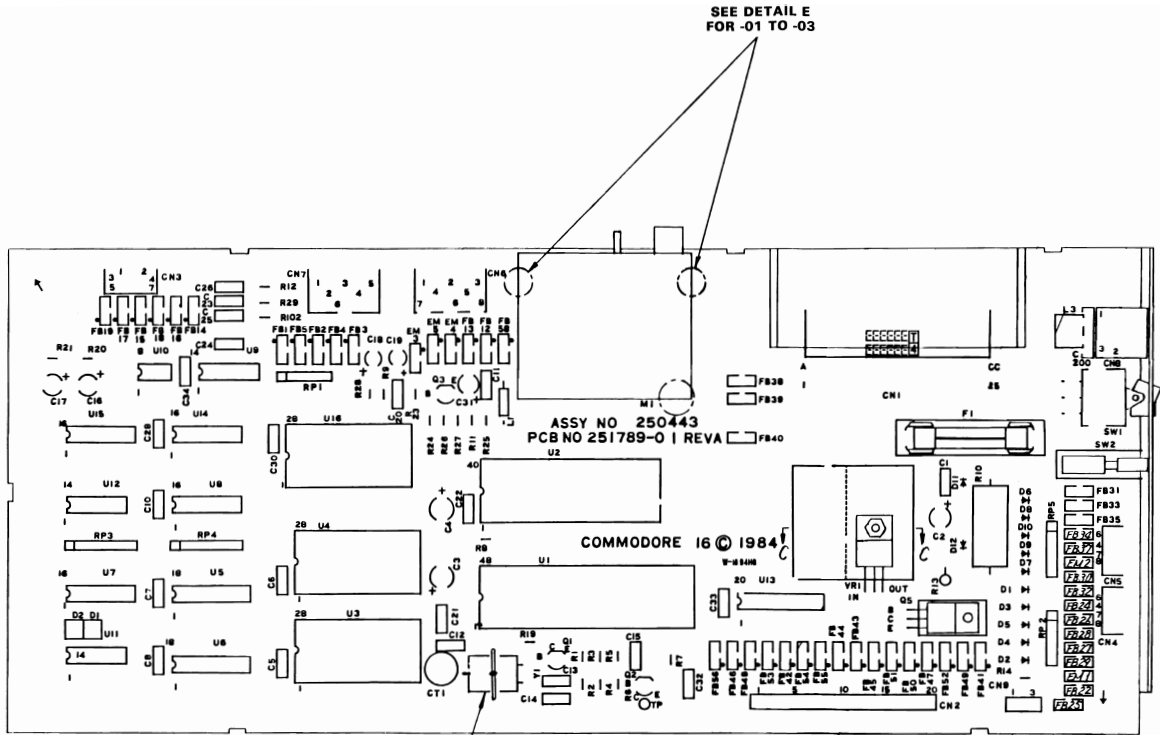
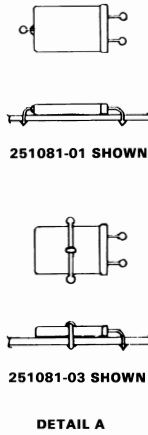
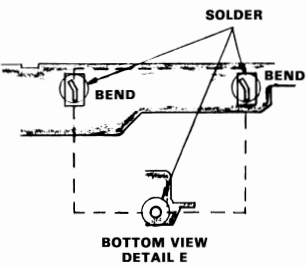
ACCESSORIES

Users Manual	C 251799-01
Power Supply	C 251539
RF Cable	C 326189-02
Switch Box	C 904778-01

C — Indicates Commodore Stock Part



C-16 Casework Identification



C-16 PCB Assembly

PARTS LIST — C-16 PCB ASSEMBLY # 250443-01

PLEASE NOTE: Commodore part numbers are provided for reference only and do not indicate the availability of parts from Commodore. Industry standard parts (Resistors, Capacitors, Connectors) should be secured locally. Approved cross-reference for TTL chips, Transistors, etc., will be available in manual form through the Service Department in November of 1984. Unique or non-standard parts will be stocked by Commodore and are indicated on the parts list by a "C".

INTEGRATED CIRCUITS		RESISTORS (Continued)			
U1	IC 7360 VSLI, Text Display (TED) C 251535-01	R5	18K	R20	47K
	Sub: IC8360 C 251535-02	R6	1.5K	R21	100K
U2	IC 7501 Custom Microprocessor C 251536-01	R7	470K	R23	10K
U3	IC 23128 ROM TED Basic C 318006-01	R8	1K	R24	1K
U4	IC 23128 ROM TED Kernal C 318005-05	R9	12K	R25	100K
	Sub: IC23128 C 318005-04	R10	Wound 20K 5W,10%	R26	240K
U5,U6	IC D-RAM 16 x 4 251538-02	R11	10K	R27	240K
U7,U8	IC 74LS257 901521-57	R12	3.3K	R28	1K
U9	IC 7406 901522-06	R13	470K	R29	100K
U10	IC 555 901523-01	R14	470K	R102	330K
U11	IC 74LS125 901521-20	RESISTOR PACK			
U12	IC 74LS02 901521-21	RP1	1K 6 PIN 0.19W 2%	902441-22	
U13	IC 6529B Single Port Interface C 251640-03	RP2	3.3K 6 PIN 0.19W 2%	902441-29	
U14	IC 74LS139 901521-18	RP3	68K 8 PIN	326149-06	
U15	IC 74LS175 901521-34	RP4	68K 8 PIN	326149-06	
U16	IC 7700-010 PLA C 251641-02	RP5	3.3K 6 PIN 0.19W 2%	902441-29	
TRANSISTORS		CAPACITORS			
Q1	2SC 1815 902693-01	C1	Elect	1 μ F 25V	900100-32
Q2	2SC 1815	C2	Elect	47 μ F 25V	900100-33
Q3	2SC 1815	C3	Elect	10 μ F 25V	900100-01
Q5	2SD 880 902694-01	C4	Elect	10 μ F 25V	900100-01
DIODES		C5	Ceramic	0.1 μ F 25V	251075-06
D1-D10	IN914B FORMING 251819-16	C6	Ceramic	0.1 μ F 25V	251075-06
	Sub: 15953(3) FORMING 251819-07	C7	Ceramic	0.22 μ F 25V	251075-07
D11	IN4001 900750-01	C8	Ceramic	0.22 μ F 25V	251075-07
D12	ZENER RD 6.8EB 900927-01	C10	Ceramic	0.1 μ F 25V	251075-06
	Sub: ZENER IN754A 900927-02	C11	Ceramic	0.1 μ F 25V	251075-06
RESISTORS — All values are in ohms-1/4 W 5%, Carbon Comp - Forming Typ, unless noted otherwise.		C12	Ceramic	22 pF 50V	251070-14
R1	10K	C13	Ceramic	220 pF 50V	251071-26
R2	4.7K	C14	Ceramic	150 pF 50V	251071-24
R3	470K	C15	Ceramic	0.01 pF 25V	251075-01
R4	220K	C16	Elect	10 μ F 25V	900100-01
		C17	Elect	1 μ F 16V	900100-16
		C18	Elect	10 μ F 25V	900100-01
		C19	Elect	10 μ F 25V	900100-01
		C20	Ceramic	0.01 μ F 25V	251075-01
		C21	Ceramic	0.1 μ F 25V	251075-06
		C22	Ceramic	0.1 μ F 25V	251075-06

C — Commodore Stock Item

PART LIST — C16 PCB ASSEMBLY # 250443-01 (Continued)

CAPACITORS (Continued)		MISCELLANEOUS (Continued)		
C23	Ceramic 470 pF 50V 251071-30	M1	Cartridge Guide C 310171-01	
C24	Ceramic 470 pF 50V 251071-30		Connector Panel 251791-01	
C25	Ceramic 470 pF 50V 250171-30		RF Modulator C 251844-01	
C26	Ceramic 0.1 μF 25V 251075-06		Ferrite Bead 325563-01	
C28	Ceramic 0.1 μF 25V 251075-06			
C30	Ceramic 0.1 μF 25V 251075-06			
C31	Elect 10 μF 25V 900100-01			
C32	Ceramic 0.1 μF 25V 251075-06			
C33	Ceramic 0.1 μF 25V 251075-06			
C34	Ceramic 0.1 μF 25V 251075-06			
C200	Ceramic .22 μF 25V 251075-07			
CT1	Capacitor, Trimmer 251029-02			EMI Filter 251842-01
MISCELLANEOUS				CONNECTORS
Y1	Crystal 14.31818 MHZ — CL = 32 pF 251081-03 Sub: Crystal 14.31818 MHZ 251081-01		CN1	Connector, 50 PIN Female Edge, Expan. Gold Plated 251630-02
L1	Coil Inductor 1.2 uH 325570-01	CN2	Header Pin, 20 PIN, Keyboard 903364-01	
L3	Line Filter 251701-01	CN3	Connector, 7 PIN MINI DIN, Cassette C 251616-01	
SW1	Switch, Rocker (PC Mount) C 251587-01	CN4	Connector, 8 PIN MINI DIN, Joy O Joy 1 C 251259-01	
SW2	Switch, Push Button C 251260-01	CN5	Connector, 8 PIN MINI DIN, Joy O Joy 1 C 251259-01	
VR1	Voltage Regulator 7805 901527-02	CN6	Connector, 8 PIN DIN, Audio/Video C 325573-01	
F1	Fuse, Normal BLOW 250V 1.5A 903556-18	CN7	Connector, 6 PIN DIN, Serial Bus C 903361-01	
F1	Fuse, Clip 906102-01	CN8	Connector Jack, DC Power, Power C 251263-01	
		CN9	Header Assembly, 3 PIN, LED 903332-03	

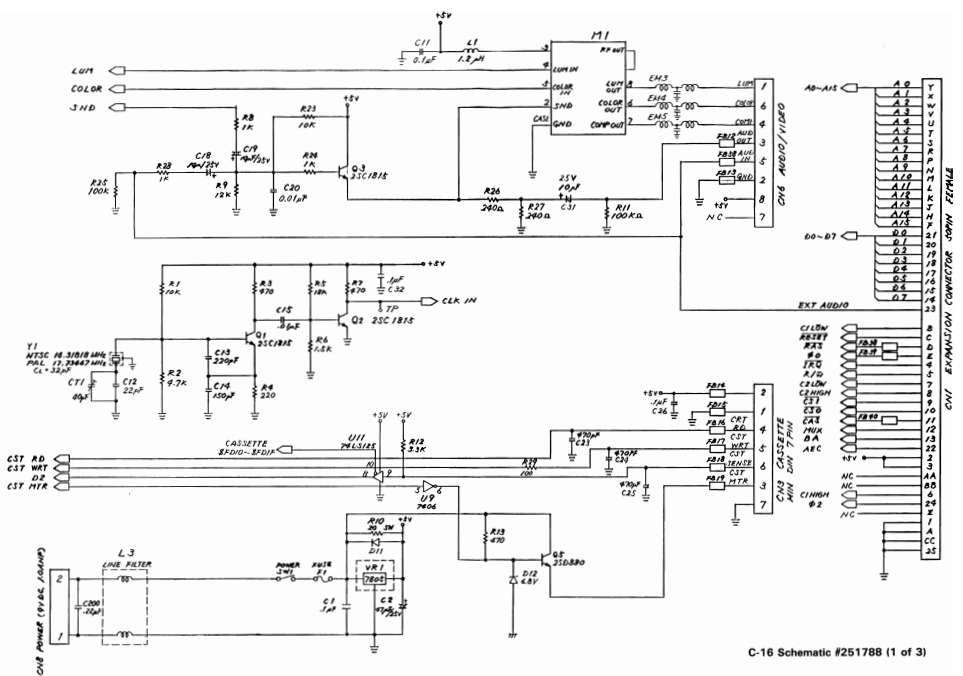
C — Commodore Stock Item

PIN ASSIGNMENT		PIN ASSIGNMENT		PIN CONFIGURATION	
A2	1	A3	48	RES	40
A1	2	A4	47	R/W	39
A0	3	A5	46	D0	38
VDD	4	A6	45	D1	37
CS0	5	A7	44	D2	36
CS1	6	A8	43	D3	35
R/W	7	A9	42	D4	34
I/O	8	A10	41	D5	33
MUX	9	A11	40	D6	32
RAS	10	A12	39	D7	31
CAS	11	A13	38	P0	30
CS2	12	A14	37	P1	29
CLK IN	13	A15	36	P2	28
K0	14	AEC	35	P3	27
K1	15	BA	34	P4	26
K2	16	SND	33	P5	25
K3	17	D7	32	P6	24
K4	18	D6	31	P7	23
K5	19	D5	30	A13	19
K6	20	D4	29	A12	18
K7	21	D3	28	A11	17
SYNC	22	D2	27	A10	16
VSS	23	D1	26	A9	15
	24	D0	25	A8	14

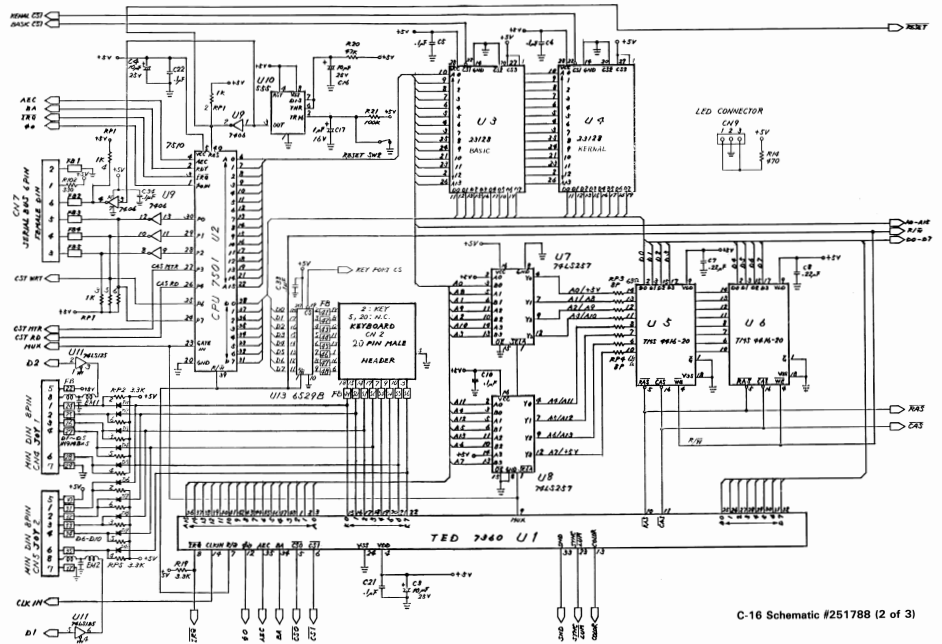
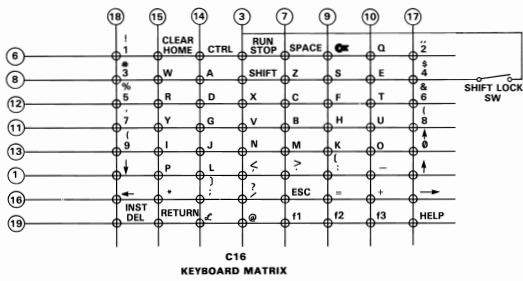
PIN ASSIGNMENT		PIN ASSIGNMENT		PIN CONFIGURATION	
NC	1	VCC	28	NC	1
A12	2	CS2	27	A12	2
A7	3	A13	26	A7	3
A6	4	A8	25	A6	4
A4	5	A9	24	A4	5
A3	6	A11	23	A3	6
A2	7	CS1	22	A2	7
A1	8	A10	21	A1	8
A0	9	CS0	20	A0	9
D1	10	D8	19	D1	10
D2	11	D7	18	D2	11
D3	12	D6	17	D3	12
D4	13	D5	16	D4	13
D5	14	D4	15	D5	14

PIN ASSIGNMENT		PIN ASSIGNMENT		PIN CONFIGURATION	
ENABLE	1	VSS	18	NC	1
D0	2	D3	17	A12	2
D1	3	CAS	16	A7	3
WE	4	D2	15	A6	4
RAS	5	A0	14	A4	5
A6	6	A1	13	A3	6
A5	7	A2	12	A2	7
A4	8	A3	11	A1	8
VDD	9	A7	10	A0	9

PART NO.	SUGGESTED SOURCE OF SUPPLY	VENDOR PART NO.	ACCESS TIME FROM RAS TRAC (ns)	RANDOM READ/ WRITE CYCLE TIME TRACT (ns)
251538-02	TEXAS INSTRUMENT	TMS4416-15	150	260
-02	FUJITSU	M8B1416-15	150	260
-02	MITSUBISHI	MSM4416P-15	150	260
-02	HITACHI	HM48416AP-15	150	260



C-16 Schematic #251788 (1 of 3)

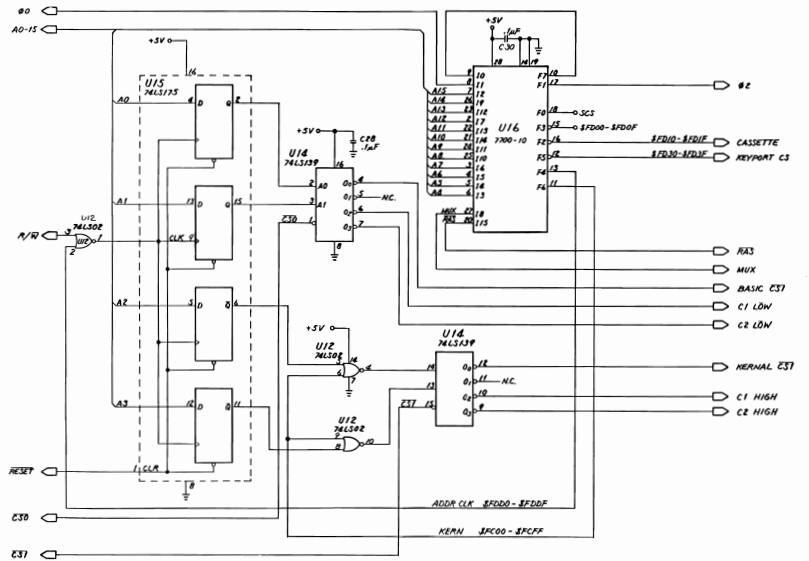
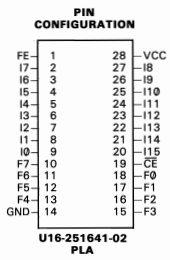
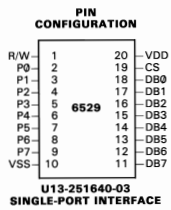


C-16 Schematic #251788 (2 of 3)

CS	R/W	D0-D7
L	L	DATA BUS TO PORT
L	H	PORT TO DATA BUS
H	X	ISOLATION

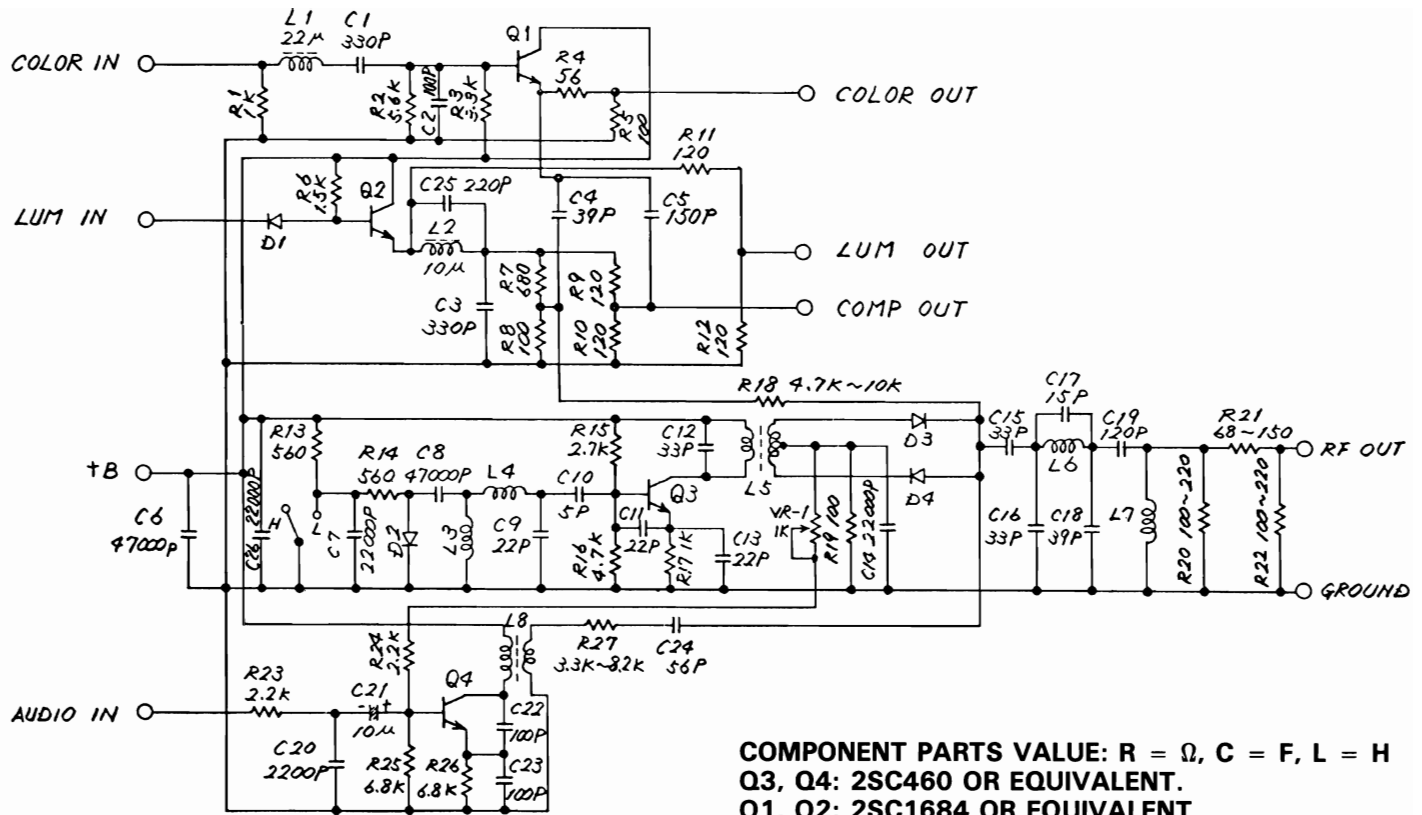
L = LOW LEVEL
H = HIGH LEVEL
X = IRRELEVANT

MOS	65298	3 MHZ
-----	-------	-------

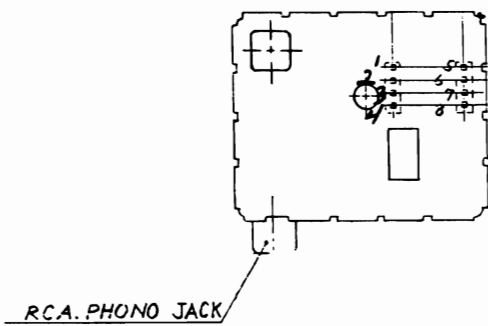


1. ALL RESISTANCE VALUES IN OHMS, 1/4W ± 5%.
NOTES: UNLESS OTHERWISE SPECIFIED -

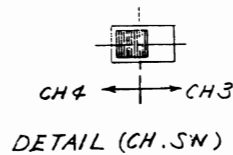
C-16 Schematic #251788 (3 of 3)



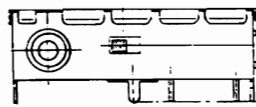
COMPONENT PARTS VALUE: R = Ω , C = F, L = H
 Q3, Q4: 2SC460 OR EQUIVALENT.
 Q1, Q2: 2SC1684 OR EQUIVALENT.
 D3, D4: 1SS198 OR EQUIVALENT.
 D2 : 1SS110 OR EQUIVALENT.
 D1 : 1SS119 OR EQUIVALENT.



TOP VIEW



DETAIL (CH. SW)



REAR VIEW

NO.	TERMINALS
1	N.C.
2	AUDIO SIG. INPUT
3	+B (+5V)
4	SYNC + LUM. SIG. INPUT
5	COLOR SIG. INPUT
6	COLOR SIG. OUTPUT
7	COMPO. SIG. OUTPUT
8	SYNC + LUM. SIG. OUTPUT
9	RF OUTPUT
10	CHANNEL SELECT SW.

RF Modulator Layout and Schematic #251844



DOCUMENT REGISTRATION

Date: _____

Manual Name: _____

Part Number: _____

Issue Date: _____

The return of this information is essential to the maintenance of your documentation. If necessary, document updates and changes will be distributed to registered persons. Subsequent versions and editions of this document must be purchased.

Name: _____

Company: _____

Street: _____

City: _____ State: _____ Zip: _____

Tear Here

PLACE
STAMP
HERE

COMMODORE BUSINESS MACHINES
C-2654
West Chester, PA 19380

Service Documentation



DOCUMENT CHANGE RECOMMENDATION

THIS FORM PROVIDES OUR CUSTOMERS WITH AN EASY METHOD OF SENDING IN DOCUMENT CHANGE RECOMMENDATIONS. JUST REMOVE, FILL IN, AND MAIL THIS FORM. OUR STAFF WILL REVIEW ALL RECOMMENDATIONS AND, WHEN APPROPRIATE, MAKE THE CHANGES TO THE DOCUMENT. THANK YOU FOR YOUR COMMENTS.

DOCUMENT PART NUMBER, TITLE, DATE OF ISSUE:

USER'S EVALUATION OF MANUAL: Check Appropriate Block(s)

Excellent Good Fair Poor Complete Incomplete

REASON FOR CHANGE RECOMMENDATIONS:

To correct error; To improve content; To improve quality; Other (indicate below)

FOLD
1

PAGE, PARAGRAPH, OR DRAWING AFFECTED BY RECOMMENDATION:

DETAILS:

FOLD
2

(Fold In)

ZIP		STATE	CITY:
PHONE:			STREET:
DATE:			COMPANY:
			NAME:

PLACE
STAMP
HERE

COMMODORE BUSINESS MACHINES
C-2654
West Chester, PA 19380

Service Documentation

Fold and Tape

DO NOT STAPLE

Fold and Tape



Computer Systems Division
1200 Wilson Drive
West Chester, PA 19380